



Construction

PF type

Pre-filters with removable basket, constructed in stainless steel. Loose ring flange connections. Clamp type closing with lever and double adjustment clamp. Inner basket with Ø 6 mm holes.

PFP type

Pre-filters with removable basket, constructed in polypropylene. Loose ring flange connections. Transparent closing lid. Easy-to-remove lid with 6 knobs. Inner basket with Ø 5 mm holes.

Applications

For water circulation pump in filtration plants in swimming pools. To prevent foreign bodies from entering the pump and the plant.

Operating conditions

Max working pressure: 0,5 bar.
Liquid temperature up to: PFP 40 °C (PF 50 °C).
pH value: 6,5-8.

Materials

Components	Materials
Pre-filter body PF 100-304 PF 125-304 PF 150-304	Stainless steel AISI 304
Pre-filter body PF 100-316 PF 125-316 PF 150-316	
Strainer basket	Stainless steel AISI 316

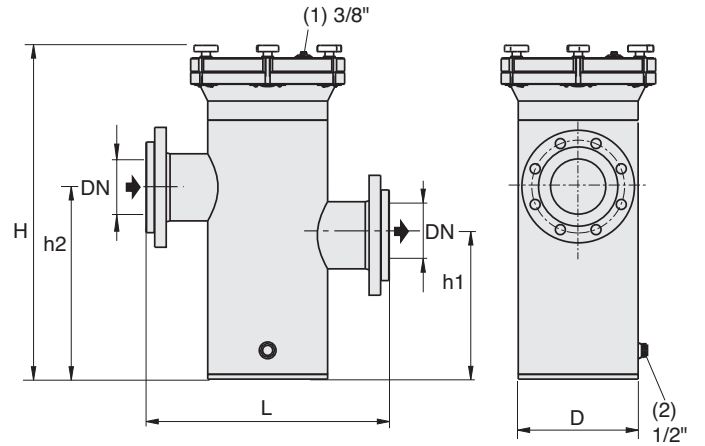
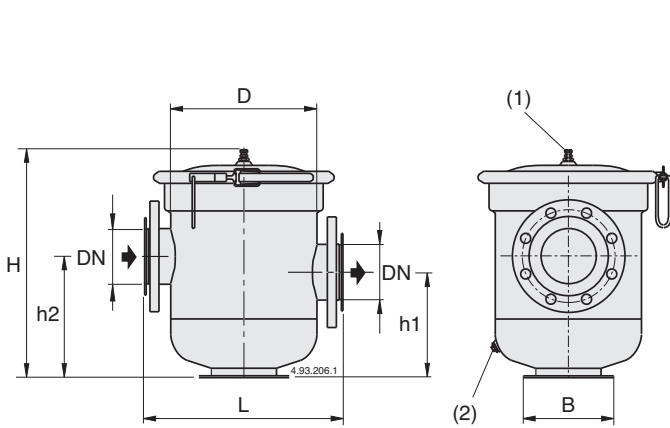
Components	Materials
Pre-filter body PFP 50 PFP 65 PFP 80 PFP 100 PFP 125 PFP 150 PFP 200	Polypropylene
Filter lid	
Strainer basket	Stainless steel AISI 316

Recommended pumps

Pre-filters	DN mm	flow * m ³ /h	Pumps
PFP 50	50	12	NM4 32/16, NM4 32/20
PFP 65	65	20	NM4 40/16, NM4 40/20, NM4 40/25
PFP 80	80	30	NM4 50/16, NM4 50/20, NM4 50/25
PFP 100 - PF 100	100	48	NM4 65/16, NM4 65/20, NM4 65/25, NM4 65/31
PFP 125 - PF 125	125	75	NM4 80/16, NM4 80/20, NM4 80/25, NM4 80/31
PFP 150 - PF 150	150	108	NM4 100/20, NM4 100/25, NM4 100/31
PFP 200	200	192	NM4 125/25

* Flow rate with 1,7 m/s flow velocity

Dimensions and weights



Flanges UNI 1092-1 PN 10

Flanges UNI 1092-1 PN 10

Type	mm							kg
	DN	H	h1	h2	L	D	B	
PF 100	100	530	247	287	440	292	185	17,5
PF 125	125				440	292	185	17,7
PF 150	150	550	260	300	500	350	210	23,3

Type	mm						kg
	DN	H	h1	h2	L	D	
PFP 50	50	695	300	400	440	250	14
PFP 65	65	695	300	400	460	250	14,1
PFP 80	80	695	300	400	477	250	14,2
PFP 100	100	695	300	400	502	250	14,3
PFP 125	125	695	300	400	507	250	14,5
PFP 150	150	745	300	400	585	315	25
PFP 200	200	795	300	400	689	400	43

1 Relief valve

2 Draining plug

1 Relief valve

2 Draining plug

Examples of installations

